

American[®]

Hard Coated Aluminum Body Air Cylinders



76 

Air Cylinders $\frac{3}{4}$ -inch through 2 $\frac{1}{2}$ -inch bore

American Cylinder Co., Inc.

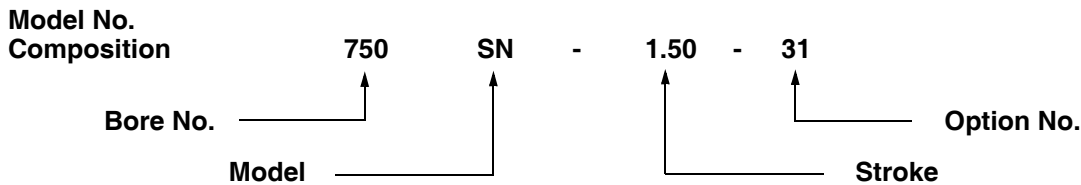
TABLE OF CONTENTS

Table of Contents	Page 1	Double Acting Models	
How to Order	Page 1	Mounting: Nose Mount	Page 7
Standard Features and Benefits	Page 2	Universal Mount.....	Page 8
Standard Model Selection	Page 3	Reverse Acting Models	
Standard Stroke Lengths.....	Page 3	Mounting: Nose Mount	Page 9
Lubrication &		Universal Mount.....	Page 10
Temperature Ratings	Page 4	Mounting Accessories	
Non-Standard Stroke Lengths	Page 4	Dimensional Data	Page 11 & 12
Single Acting Models		Warranty	Page 13
Mounting: Nose Mount	Page 5		
Universal Mount	Page 6		

HOW TO ORDER:

Example: **3/4" Bore Single Acting Nose Mount Cylinder**
1 1/2" Stroke - Fluoroelastomer Seals

Model No.: **750SN-1.50-31**

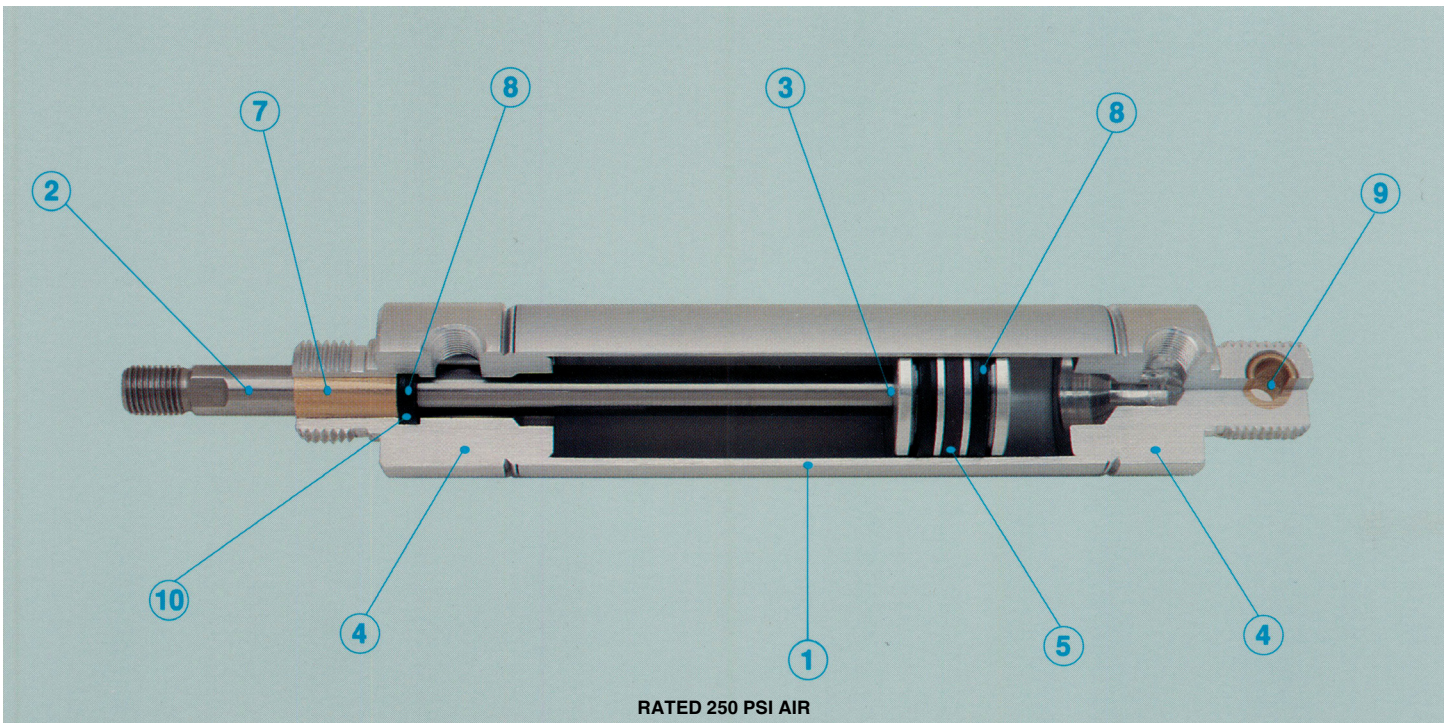


Bore	No.	Model Description	Model	Standard Options	No.
3/4"	750	Single Acting Nose Mount	SN	Unmilled Threaded Rear Mtg. Stud	3 ^a
1 1/8"	1125	Single Acting Universal Mount	SV	Magnetic Field Piston	4 ^b
1 1/2"	1500	Double Acting Nose Mount	DN	Quad-X Wiper/Seal in Front Head	5 ^c
2"	2000	Double Acting Universal Mount	DV	Magnalube [®] Lubrication	6
2 1/2"	2500	Reverse Acting Nose Mount	RN	No Rod Thds. or Flats, Std. Overall Ext.	9
		Reverse Acting Universal Mount	RV	Fluoroelastomer Seals	31
				Bumpers	32 ^d
				Ports Rotated 90°	33
				Side Port Rear Cap	38 ^e
				Quad-X Seal in Front Piston Groove	51 ^f
				"UNC" Coarse Rod Threads	91 ^g

N a Same thread as rod guide.
O b Consult American's MFC[®] catalog for additional information.
T c In addition to the standard U-Cup rod seal.
E d See page 3 for Bumper Length Adder.
S e Available on Nose Mount Models excluding Reverse Acting Nose Mount Models.
S f Not available on Single or Reverse Acting Models.
S g Same thread length, extension and rod flats as standard models.

(-91) "UNC" Coarse Rod Threads "P" Dimension.					
Bore	3/4"	1 1/8"	1 1/2"	2"	2 1/2"
"P" Dim.	5/16-18	3/8-16	1/2-13	5/8-11	1/2-13

STANDARD FEATURES AND BENEFITS



① Cylinder Body: Hard coated I.D. Aluminum Tubing has extreme hardness, excellent wear and seizure resistance, low coefficient of friction and high corrosion resistance. The aluminum body is twice as thick when compared to non-repairable stainless steel body cylinders.

② Stainless Steel Rod: Ground & Polished Type 303 Stainless Steel rods are standard on the Aluminum 76 Series. All rods have wrench flats and stress relief grooves.

③ Piston Rod Assembly: Piston rods are threaded, anaerobically sealed, and machine staked into the piston for triple protection.

④ End Caps, Piston: High strength aluminum alloy.

⑤ Magnet for Sensing Switch Actuation: Optional, refer to American Cylinder's MFC® Series catalog for details.

⑥ Springs: Springs for spring action cylinders are made from music wire and designed for millions of cycles. Special spring forces are available.

⑦ Rod Guide Bushing: Standard on all models. The oil impregnated sintered bronze bushing increases the life of the cylinder rod and provides a non-abrasive bearing surface.

⑧ Buna-N U-Cup Rod & Piston Seals: U-Cup seals provide low breakaway friction and maximize cylinder life expectancy. Standard Buna-N seals are recommended for operating temperatures of -20° F (-25°C) to 200° F (95°C). Fluoroelastomer seals are available for higher temperature applications.

⑨ Pivot Bushing: Sintered bronze pivot bushings are standard on all universal mount models.

⑩ Rod Seal: Precision machined rod seal groove provides a smooth sealing surface while positively retaining the seal without requiring additional components and relying on press fit containment.

⑪ Pre-lubricated: All cylinders are factory lubricated with a special high endurance oil mixture.

⑫ Pre-Tested: The quality of each cylinder is assured by testing each unit for leakage prior to shipment. Quality control provides added value to American cylinders.

Product enhancements resulting from our quality improvement program may necessitate changes in specifications without notice.

STANDARD MODEL SELECTION

	Model	Description	Available Bore Sizes				
			3/4	1 1/8	1 1/2	2	2 1/2
SINGLE ACTING	SN	Single Acting Nose Mount	•	•	•	•	
	SV	Single Acting Universal Mount	•	•	•	•	
DOUBLE ACTING	DN	Double Acting Nose Mount	•	•	•	•	•
	DV	Double Acting Universal Mount	•	•	•	•	•
REVERSE ACTING	RN	Reverse Acting Nose Mount	•	•	•	•	
	RV	Reverse Acting Universal Mount	•	•	•	•	

STANDARD STROKE LENGTHS

Single Acting

Models SN & SV - Pages 5 & 6

Bore	Standard Stroke Lengths (in.)	Spring Forces		Bumper (-32) Length Adder	Side Port (-38) Length Adder	Power Factor
		Rod Ret.	Rod Ext.			
3/4"	1/2, 1, 1 1/2, 2, 3, 4	2.0	4.0	.12	.37	.44
1 1/8"	1/2, 1, 1 1/2, 2, 3, 4	5.0	10.0	.00	.31	.99
1 1/2"	1/2, 1, 1 1/2, 2, 3, 4	10.0	20.0	.00	.37	1.77
2"	1/2, 1, 1 1/2, 2, 3, 4	15.0	30.0	.00	.37	3.14

Double Acting

Models DN & DV - Pages 7 & 8

Bore	Standard Stroke Lengths (in.)	Bumper (-32) Length Adder	Side Port (-38) Length Adder	Power Factor	
				Push	Pull
3/4"	1/2, 1, 1 1/2, 2, 3, 4, 5, 6, 8, 10, 12	.28	.37	.44	.37
1 1/8"	1/2, 1, 1 1/2, 2, 3, 4, 5, 6, 8, 10, 12	.00	.31	.99	.88
1 1/2"	1/2, 1, 1 1/2, 2, 3, 4, 5, 6, 8, 10, 12, 14, 16, 18	.00	.37	1.77	1.57
2"	1/2, 1, 1 1/2, 2, 3, 4, 5, 6, 7, 8, 9, 10, 11, 12, 14, 16, 18, 20, 22, 24	.00	.37	3.14	2.83
2 1/2"	1/2, 1, 1 1/2, 2, 3, 4, 5, 6, 7, 8, 9, 10, 11, 12, 14, 16, 18, 20, 22, 24	.00	.37	4.91	4.60

NOTE: Stroke lengths in blue only apply to DV models.

Reverse Acting

Models RN & RV - Pages 9 & 10

Bore	Standard Stroke Lengths (in.)	Spring Forces		Bumper (-32) Length Adder	(-38) Length Adder	Power Factor
		Rod Ret.	Rod Ext.			
3/4"	1/2, 1, 1 1/2, 2, 3, 4	4.0	2.0	.12	N/A	.37
1 1/8"	1/2, 1, 1 1/2, 2, 3, 4	10.0	5.0	.00	N/A	.88
1 1/2"	1/2, 1, 1 1/2, 2, 3, 4	20.0	10.0	.00	N/A	1.57
2"	1/2, 1, 1 1/2, 2, 3, 4	30.0	15.0	.00	N/A	2.83

Special Design

American Cylinder engineers and our Specials Department can design and manufacture special cylinders to meet the needs of your unusual or difficult applications. Contact your American Cylinder Distributor or the factory direct with your special requirements.

LUBRICATION

American cylinders are prelubricated at the factory prior to shipment to provide millions of trouble free cycles. Most applications do not require additional lubrication, however, cylinder life can be maximized through periodic direct lubrication or continuous air line mist lubrication. Atlantic Richfield Duro S-315 oil is recommended for cylinders having standard Buna-N seals. Dow Corning Molykote 710G is recommended for cylinders with high temperature fluoroelastomer seals. Consult your American Cylinder distributor or the factory for special lubrication requirements.

TEMPERATURE RATINGS

Buna-N seals are supplied as standard in all American Cylinder models and are recommended for operating temperatures in the -20° F (-25°C) to 200° F (95°C) range. Fluoroelastomer seals are recommended for high temperature cylinder applications having operating temperatures up to 400°F (204°C).

NON-STANDARD STROKE LENGTHS

American Cylinder's Specials Department will produce cylinders with non-standard and fractional stroke lengths. Consult your local distributor for non-standard stroke cylinder pricing. Fractional stroke cylinder lengths can be determined as illustrated by the following examples:

Single Acting Cylinders

Calculate the length of the next longer whole inch increment of stroke and subtract the difference between desired stroke and the next longer whole inch increment of stroke.

Example: 1125SV-1.75

Step 1: Calculate length for next largest whole inch increment.

1125SV Base Length, Dim.A	=	3.31"
Plus: (Dim.B) x Stroke Increment		
1.75 x 2.00	=	3.50"
Length of 2" Stroke	=	6.81"

Step 2: Subtract desired stroke from stroke increment used above.

Whole inch stroke used in Step 1	=	2.00"
Less: 1.75" Desired stroke	=	1.75"
Stroke difference	=	0.25"

Step 3: Subtract stroke difference from length calculated in Step 1.

Length of 1125SV-2.00, (Step 1)	=	6.81"
Less: Stroke difference, (Step 2)	=	0.25"
Length of 1125SV-1.75	=	6.56"

Double Acting Cylinders

Add desired stroke length to base length of the cylinder.

Example: 1125DN-2.75

1125DN Base Length, Dim.A	=	3.37"
Plus stroke length	=	2.75"
Length of 1125DN-2.75	=	6.12"

Reverse Acting Cylinders

Calculate the length of the next longer whole inch increment of stroke and subtract twice the difference between the desired stroke and the next longer whole inch increment of stroke.

Example: 1125RV-1.25

Step 1: Calculate length for next largest whole inch increment.

1125RV Base Length, Dim.A	=	3.81"
Plus: (Dim.B) x Stroke Increment		
2.75 x 2.00	=	5.50"
Length of 2" Stroke Unit	=	9.31"

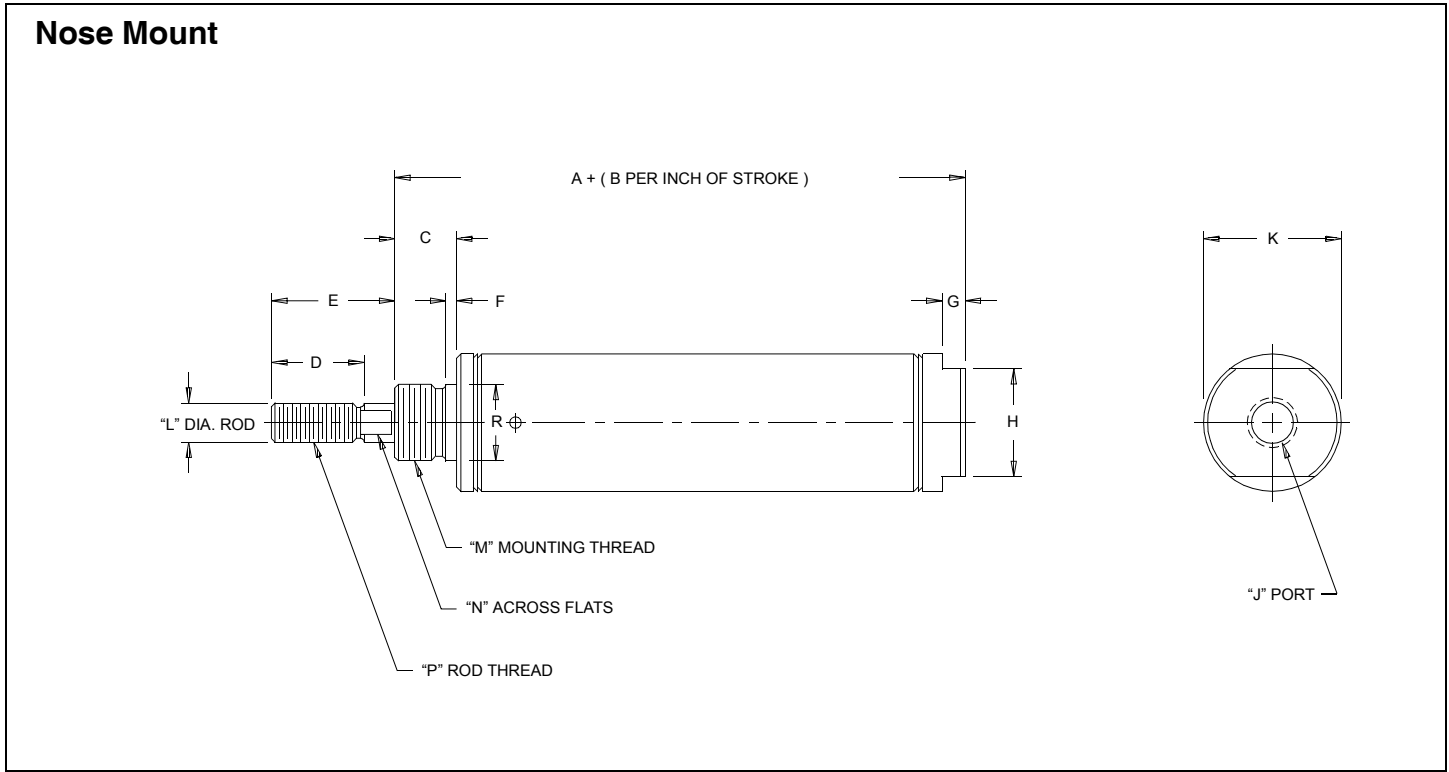
Step 2: Calculate twice the difference between the desired stroke length and the whole inch stroke increment used in Step 1.

Whole inch stroke used in Step 1	=	2.00"
Less: 1.25" Desired stroke	=	1.25"
Stroke difference	=	0.75"
Multiply by 2	x	2
Twice the stroke difference	=	1.50"

Step 3: Subtract value calculated in Step 2 from value obtained in Step 1.

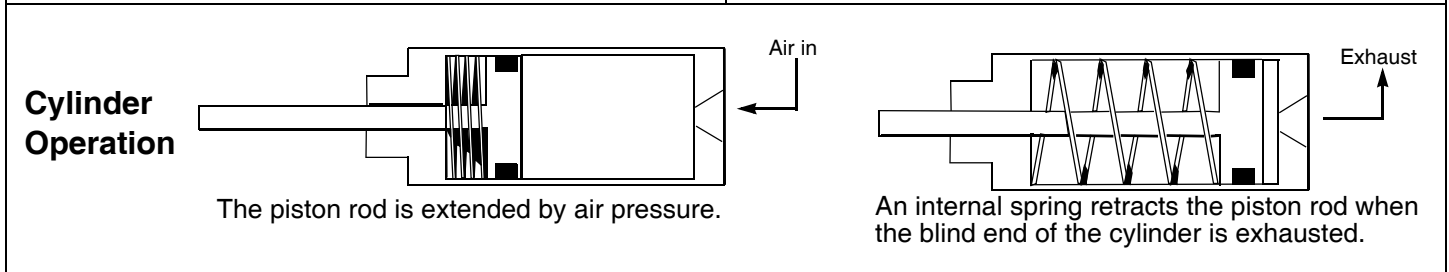
Length of 1125RV-2.00, (Step 1)	=	9.31"
Less: Stroke factor, (Step 2)	=	1.50"
Length of 1125RV-1.25	=	7.81"

SINGLE ACTING: Nose Mount



Bore	Model	Standard Stroke Lengths (in.)
3/4"	750SN-□.□□	1/2, 1, 1 1/2, 2, 3, 4
1 1/8"	1125SN-□.□□	1/2, 1, 1 1/2, 2, 3, 4
1 1/2"	1500SN-□.□□	1/2, 1, 1 1/2, 2, 3, 4
2"	2000SN-□.□□	1/2, 1, 1 1/2, 2, 3, 4

□.□□ Enter stroke length to complete model no.

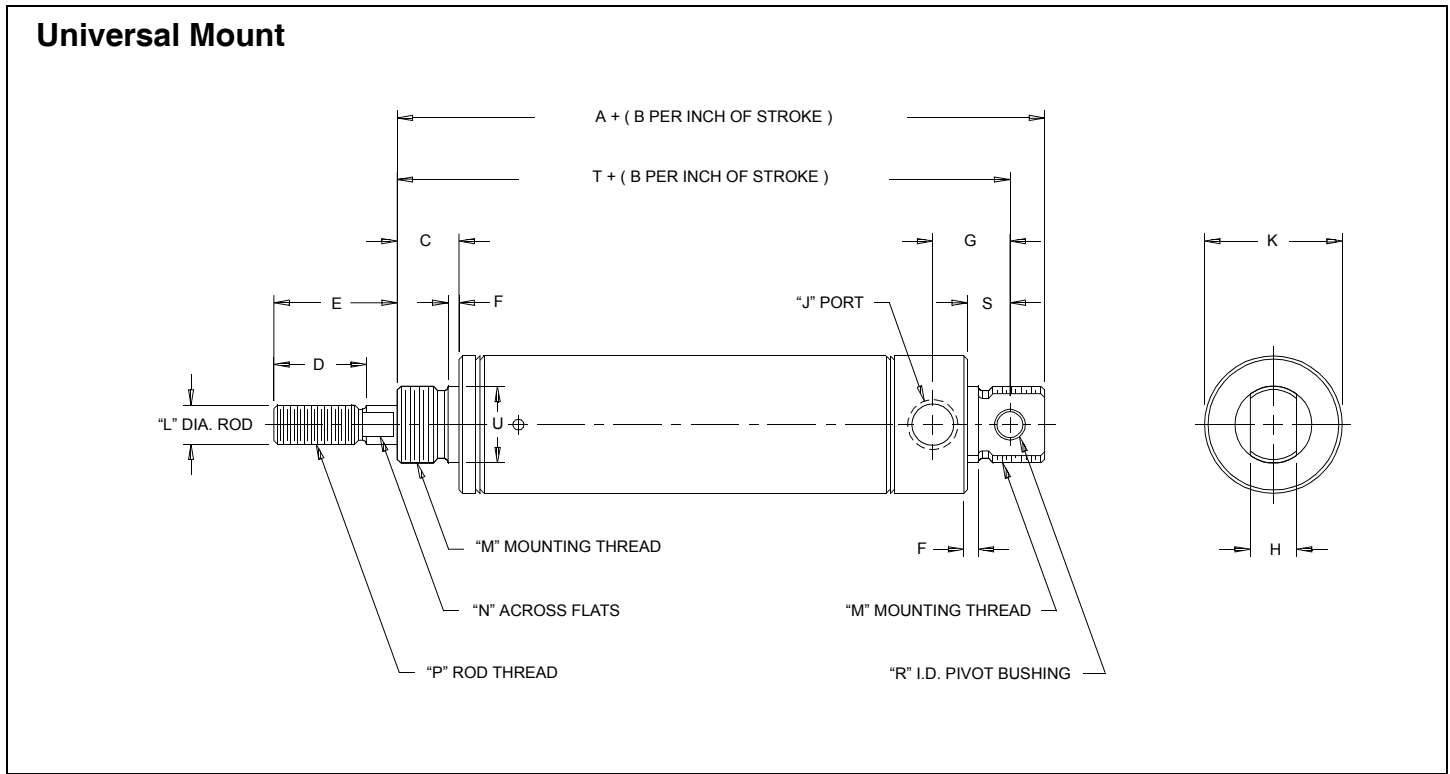



Aluminum Body Series - Model SN - Single Acting Nose Mount

Bore	Dimension																Mounting Accessories		
	A	B	C	D	E	F	G	H	J	K	L	M	N	P	R*	Foot Bkt.	Flange	Mtg. Nut	
3/4"	1.75	1.62	.50	.50	0.75	.06	.18	0.62	1/8 NPT	0.90	.31	5/8-18	.25	5/16-24	0.62	M21	M22	M25	
1 1/8"	2.18	1.75	.62	.50	0.75	.09	.18	0.87	1/8 NPT	1.28	.37	3/4-16	.31	3/8-24	0.75	M41	M42	M45	
1 1/2"	2.56	1.81	.75	.75	1.00	.09	.25	1.00	1/4 NPT	1.71	.50	1-14	.43	1/2-20	1.00	M61	M62	M65	
2"	3.00	1.81	.87	.87	1.25	.10	.25	1.25	1/4 NPT	2.23	.62	1 1/4-12	.56	5/8-18	1.25	M81	M82	M85	

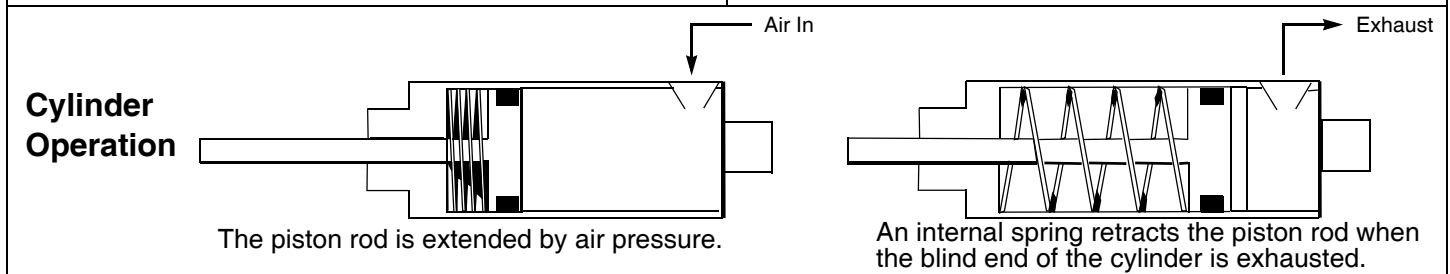
Note: * Pilot diameter.

SINGLE ACTING: Universal Mount

Bore	Model	Standard Stroke Lengths (in.)
3/4"	750SV-□.□□	1/2, 1, 1 1/2, 2, 3, 4
1 1/8"	1125SV-□.□□	1/2, 1, 1 1/2, 2, 3, 4
1 1/2"	1500SV-□.□□	1/2, 1, 1 1/2, 2, 3, 4
2"	2000SV-□.□□	1/2, 1, 1 1/2, 2, 3, 4

□.□□ Enter stroke length to complete model no.

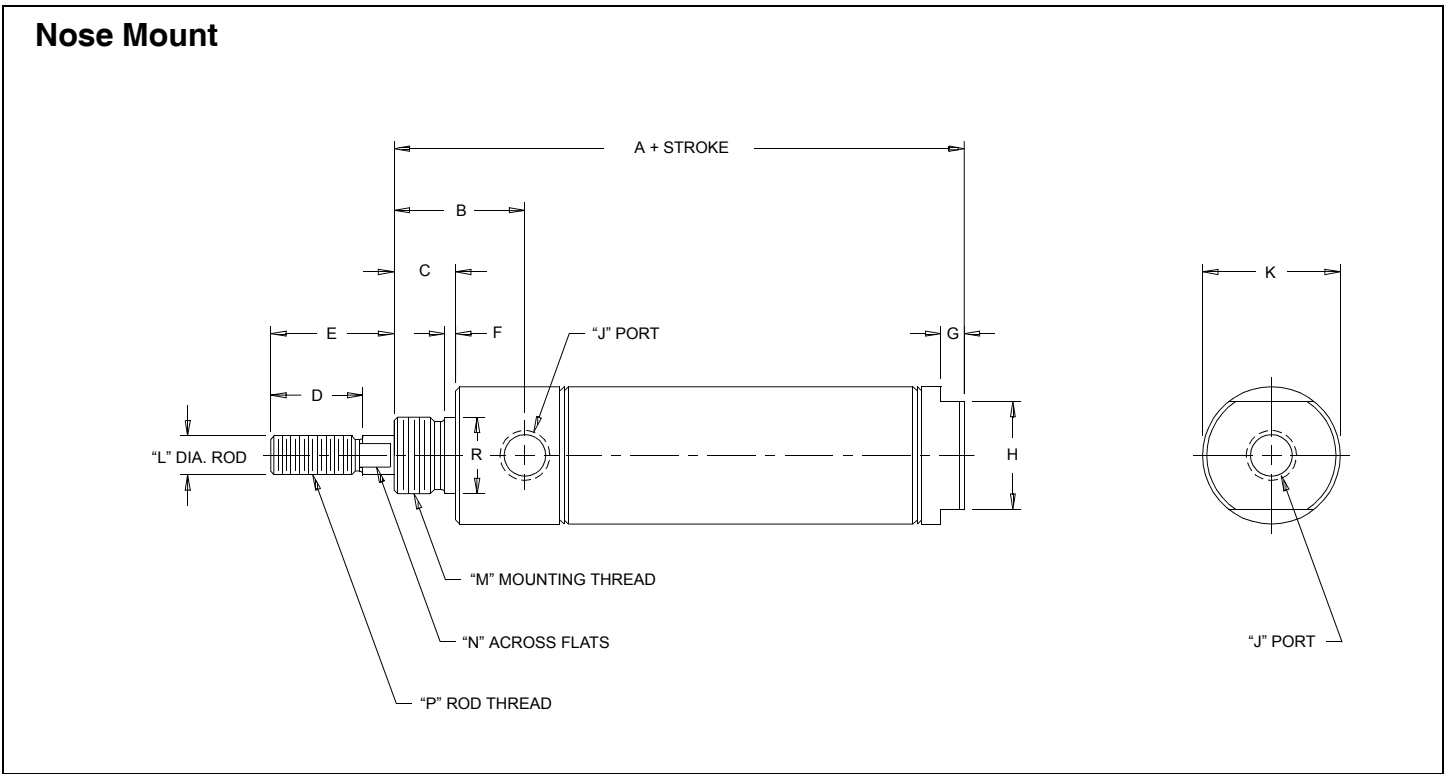


Aluminum Body Series - Model SV - Single Acting Universal Mount

Bore	Dimension																		Mounting Accessories		
	A	B	C	D	E	F	G	H	J	K	L	M	N	P	R	S	T	U*	Foot Bkt.	Pivot Bkt.	Rod Clevis
3/4"	2.87	1.62	.50	.50	0.75	.06	0.78	.37	1/8 NPT	1.00	.31	5/8-18	.25	5/16-24	.25	.46	2.59	0.62	M21	M23	M24
1 1/8"	3.31	1.75	.62	.50	0.75	.09	0.81	.50	1/8 NPT	1.28	.37	3/4-16	.31	3/8-24	.25	.50	3.00	0.75	M41	M43	M44
1 1/2"	4.06	1.81	.75	.75	1.00	.09	1.09	.75	1/4 NPT	1.71	.50	1-14	.43	1/2-20	.31	.71	3.65	1.00	M61	M63	M64
2"	4.50	1.81	.87	.87	1.25	.10	1.09	.75	1/4 NPT	2.23	.62	1 1/4-12	.56	5/8-18	.31	.71	4.09	1.25	M81	M83	M84

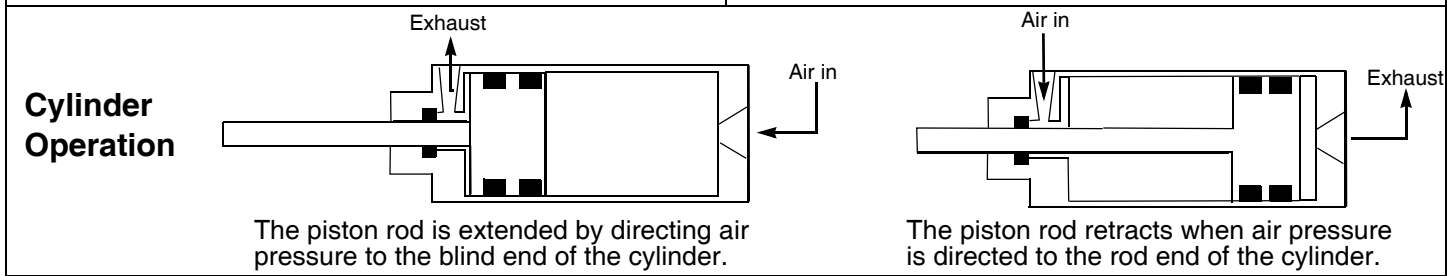
Note: * Pilot diameter.

DOUBLE ACTING: Nose Mount



Bore	Model	Standard Stroke Lengths (in.)
3/4"	750DN-□.□□	1/2, 1, 1 1/2, 2, 3, 4, 5, 6, 8, 10, 12
1 1/8"	1125DN-□.□□	1/2, 1, 1 1/2, 2, 3, 4, 5, 6, 8, 10, 12
1 1/2"	1500DN-□.□□	1/2, 1, 1 1/2, 2, 3, 4, 5, 6, 8, 10, 12
2"	2000DN-□.□□	1/2, 1, 1 1/2, 2, 3, 4, 5, 6, 7, 8, 9, 10, 11, 12
2 1/2"	2500DN-□.□□	1/2, 1, 1 1/2, 2, 3, 4, 5, 6, 7, 8, 9, 10, 11, 12

□.□□ Enter stroke length to complete model no.

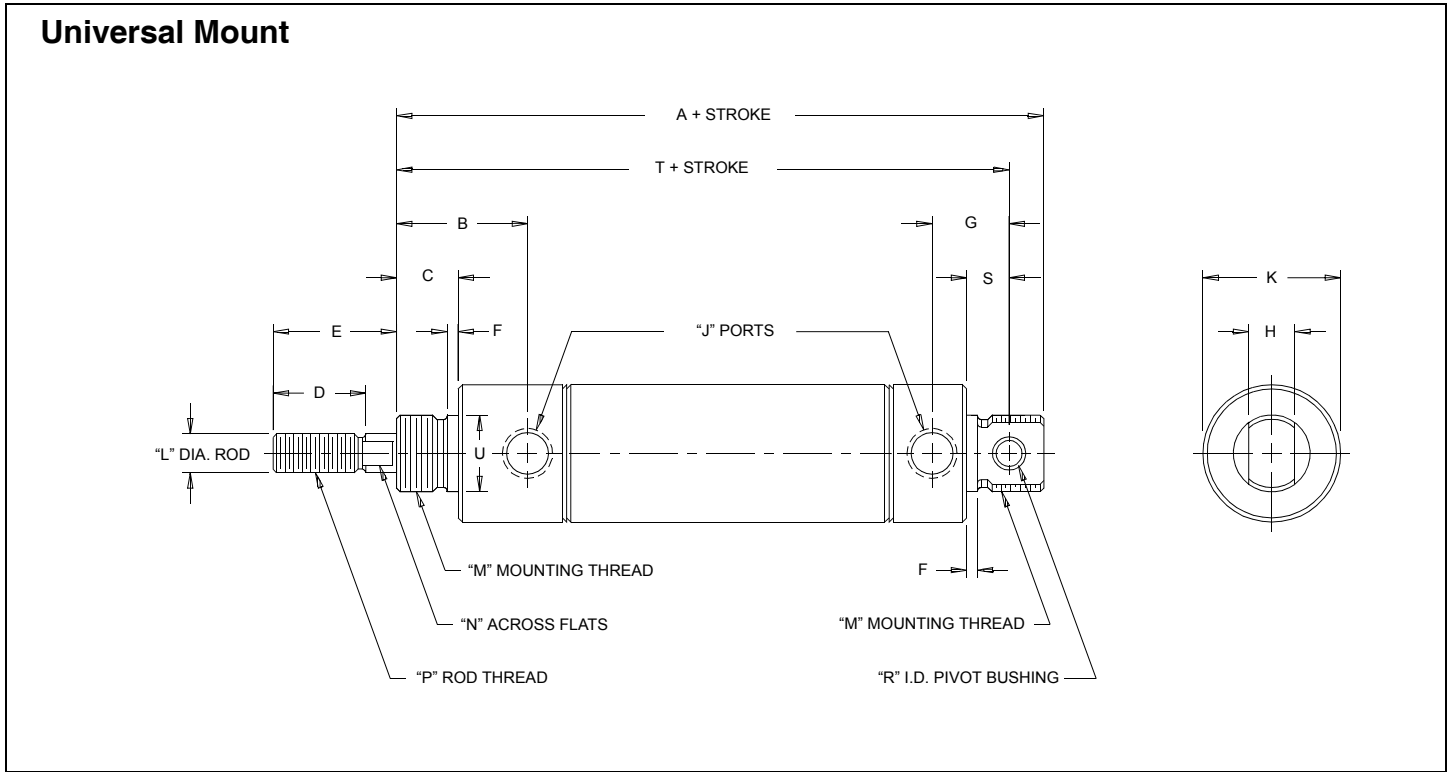


Aluminum Body Series - Model DN - Double Acting Nose Mount

Dimension																Mounting Accessories		
Bore	A	B	C	D	E	F	G	H	J	K	L	M	N	P	R*	Foot Bkt.	Flange	Mtg. Nut
3/4"	2.81	1.00	.50	.50	0.75	.06	.18	0.62	1/8 NPT	1.00	.31	5/8-18	.25	5/16-24	0.62	M21	M22	M25
1 1/8"	3.37	1.18	.62	.50	0.75	.09	.18	0.87	1/8 NPT	1.28	.37	3/4-16	.31	3/8-24	0.75	M41	M42	M45
1 1/2"	4.12	1.37	.75	.75	1.00	.09	.25	1.00	1/4 NPT	1.71	.50	1-14	.43	1/2-20	1.00	M61	M62	M65
2"	4.62	1.62	.87	.87	1.25	.10	.25	1.25	1/4 NPT	2.23	.62	1 1/4-12	.56	5/8-18	1.25	M81	M82	M85
2 1/2"	4.31	1.50	.81	.87	1.25	.12	.25	1.50	1/4 NPT	2.73	.62	1 3/8-12	.56	1/2-20	1.50	M91	---	M95

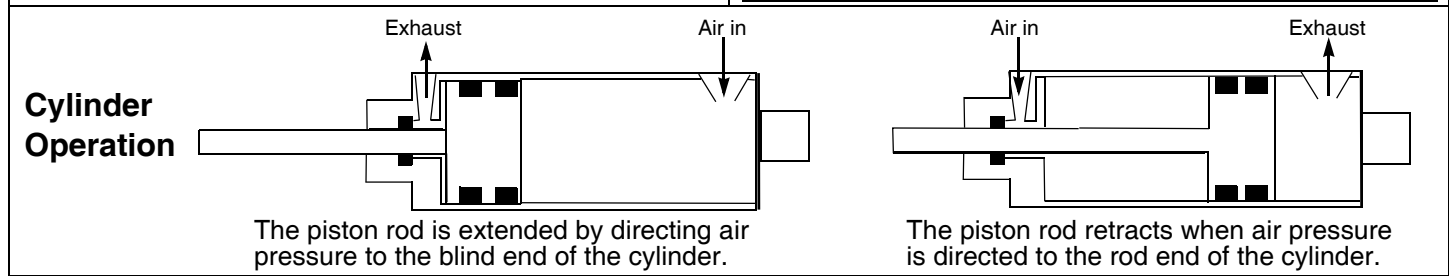
Note: * Pilot diameter.

DOUBLE ACTING: Universal Mount



Bore	Model	Standard Stroke Lengths (in.)
3/4"	750DV-□.□□	1/2, 1, 1 1/2, 2, 3, 4, 5, 6, 8, 10, 12
1 1/8"	1125DV-□.□□	1/2, 1, 1 1/2, 2, 3, 4, 5, 6, 8, 10, 12
1 1/2"	1500DV-□.□□	1/2, 1, 1 1/2, 2, 3, 4, 5, 6, 8, 10, 12, 14, 16, 18
2"	2000DV-□.□□	1/2, 1, 1 1/2, 2, 3, 4, 5, 6, 7, 8, 9, 10, 11, 12*
2 1/2"	2500DV-□.□□	1/2, 1, 1 1/2, 2, 3, 4, 5, 6, 7, 8, 9, 10, 11, 12*

*In addition, every even number stroke from 14" to 24".
 □.□□ Enter stroke length to complete model no.

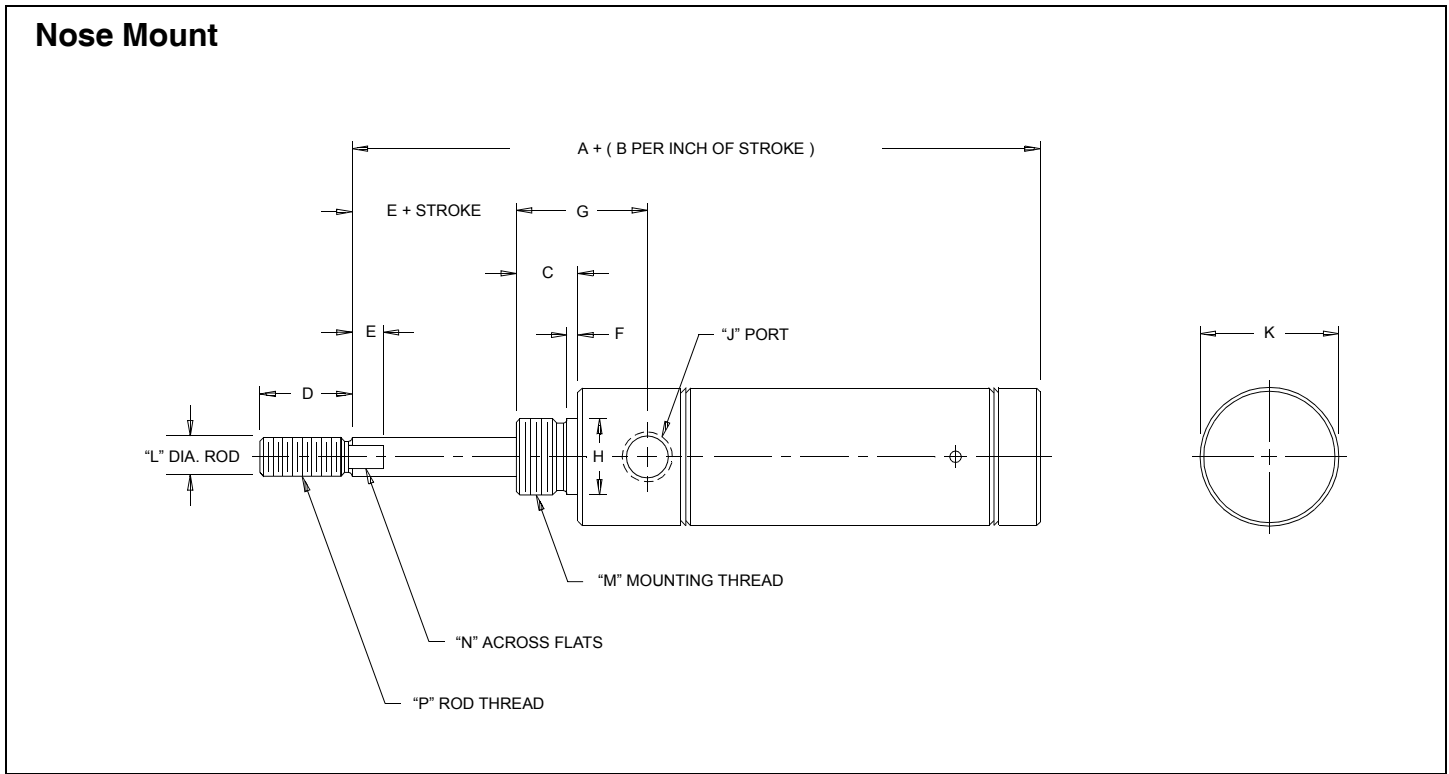


Aluminum Body Series - Model DV - Double Acting Universal Mount

Bore	Dimension																			Mounting Accessories		
	A	B	C	D	E	F	G	H	J	K	L	M	N	P	R	S	T	U*	Foot Bkt.	Pivot Bkt.	Rod Clevis	
3/4"	3.93	1.00	.50	.50	0.75	.06	0.78	.37	1/8NPT	1.00	.31	5/8-18	.25	5/16-24	.25	.46	3.65	0.62	M21	M23	M24	
1 1/8"	4.50	1.18	.62	.50	0.75	.09	0.81	.50	1/8NPT	1.28	.37	3/4-16	.31	3/8-24	.25	.50	4.18	0.75	M41	M43	M44	
1 1/2"	5.62	1.37	.75	.75	1.00	.09	1.09	.75	1/4NPT	1.71	.50	1-14	.43	1/2-20	.31	.71	5.21	1.00	M61	M63	M64	
2"	6.12	1.62	.87	.87	1.25	.10	1.09	.75	1/4NPT	2.23	.62	1 1/4-12	.56	5/8-18	.31	.71	5.71	1.25	M81	M83	M84	
2 1/2"	5.68	1.50	.81	.87	1.25	.12	0.93	.75	1/4NPT	2.73	.62	1 3/8-12	.56	1/2-20	.37	.56	5.25	1.50	M91	M93	M94	

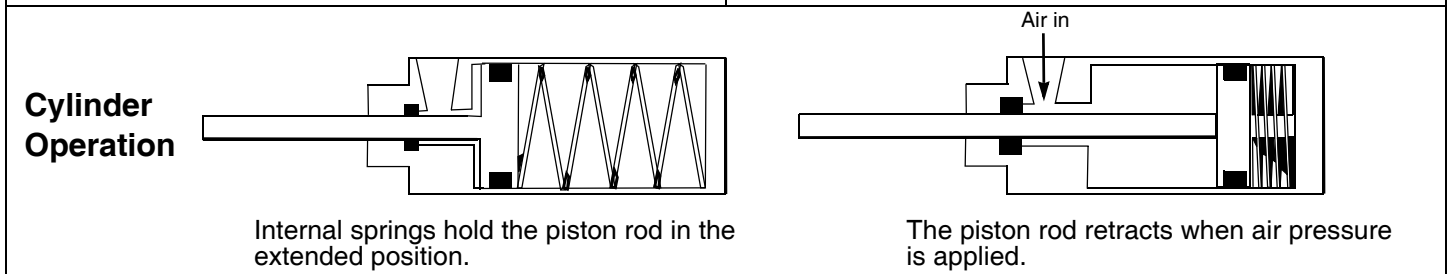
Note: * Pilot diameter (both ends).

REVERSE ACTING: Nose Mount



Bore	Model	Standard Stroke Lengths (in.)
3/4"	750RN-□.□□	1/2, 1, 1 1/2, 2, 3, 4
1 1/8"	1125RN-□.□□	1/2, 1, 1 1/2, 2, 3, 4
1 1/2"	1500RN-□.□□	1/2, 1, 1 1/2, 2, 3, 4
2"	2000RN-□.□□	1/2, 1, 1 1/2, 2, 3, 4

□.□□ Enter stroke length to complete model no.

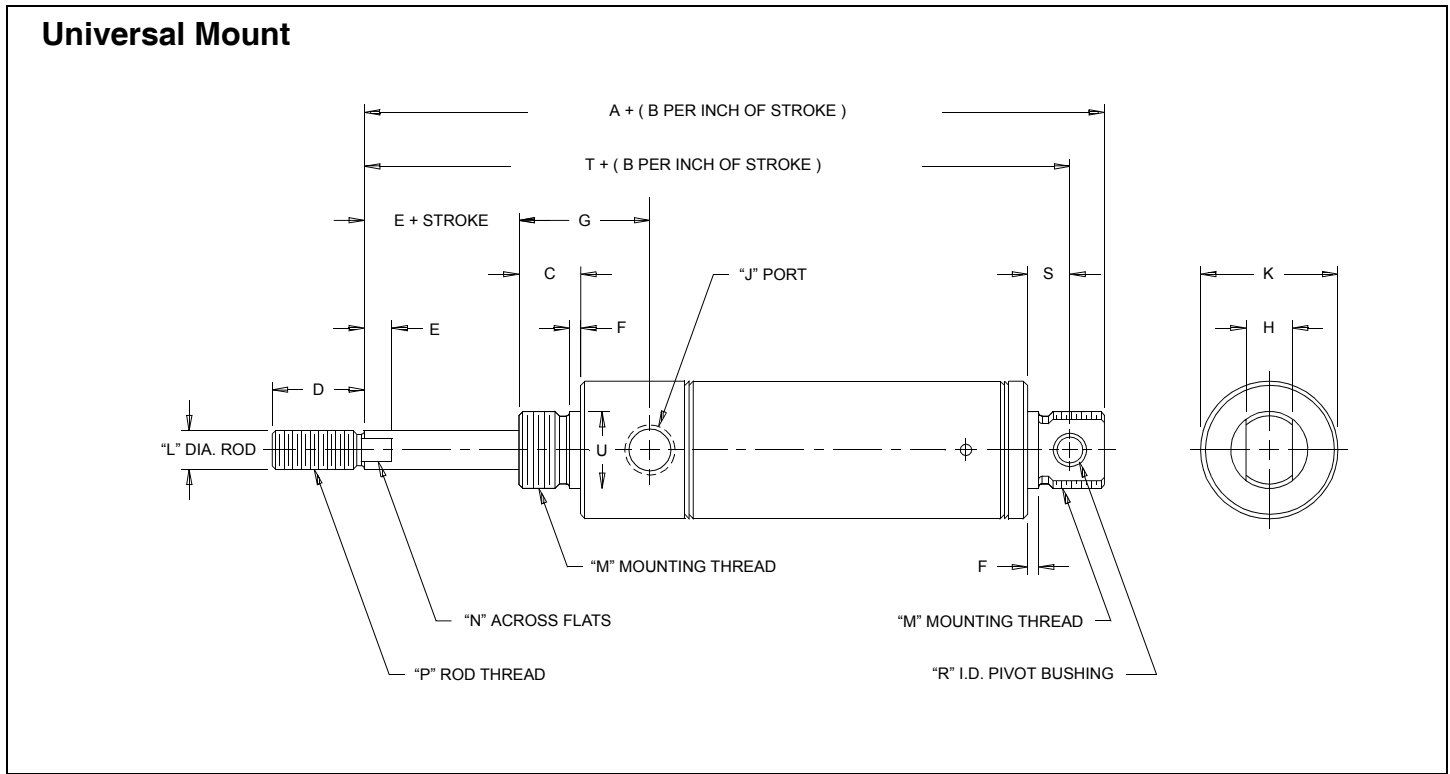


Aluminum Body Series - Model RN - Reverse Acting Nose Mount

Bore	Dimension														Mounting Accessories		
	A	B	C	D	E	F	G	H*	J	K	L	M	N	P	Foot Bkt.	Flange	Mtg. Nut
3/4"	2.75	2.62	.50	.50	.25	.06	1.00	0.62	1/8 NPT	1.00	.31	5/8-18	.25	5/16-24	M21	M22	M25
1 1/8"	3.18	2.75	.62	.50	.25	.09	1.18	0.75	1/8 NPT	1.28	.37	3/4-16	.31	3/8-24	M41	M42	M45
1 1/2"	3.68	2.81	.75	.75	.25	.09	1.37	1.00	1/4 NPT	1.71	.50	1-14	.43	1/2-20	M61	M62	M65
2"	4.31	2.81	.87	.87	.37	.10	1.62	1.25	1/4 NPT	2.23	.62	1 1/4-12	.56	5/8-18	M81	M82	M85

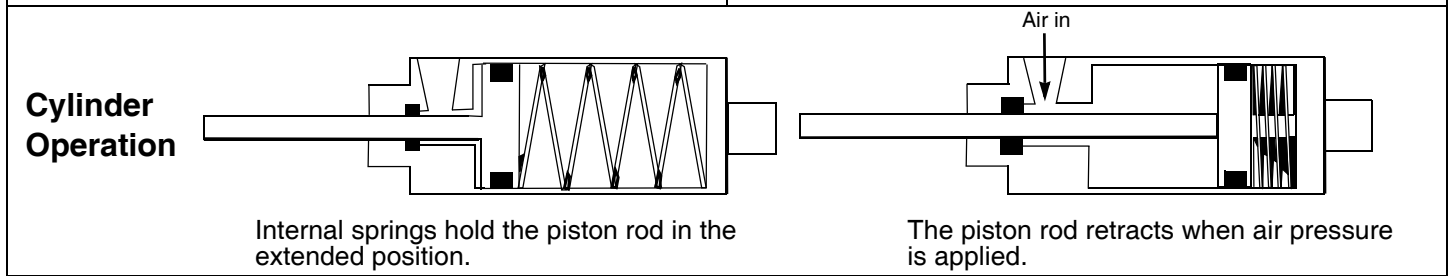
Note: * Pilot diameter.

REVERSE ACTING: Universal Mount



Bore	Model	Standard Stroke Lengths (in.)
3/4"	750RV-□.□□	1/2, 1, 1 1/2, 2, 3, 4
1 1/8"	1125RV-□.□□	1/2, 1, 1 1/2, 2, 3, 4
1 1/2"	1500RV-□.□□	1/2, 1, 1 1/2, 2, 3, 4
2"	2000RV-□.□□	1/2, 1, 1 1/2, 2, 3, 4

□.□□ Enter stroke length to complete model no.



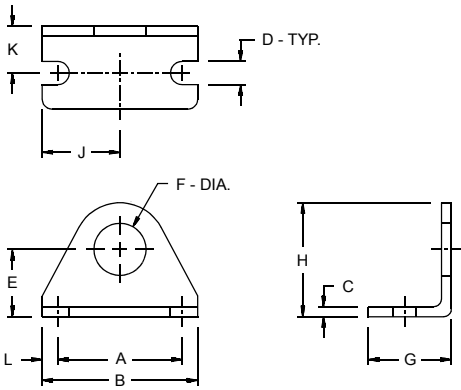
Aluminum Body Series - Model RV - Reverse Acting Universal Mount

Bore	Dimension																		Mounting Accessories		
	A	B	C	D	E	F	G	H	J	K	L	M	N	P	R	S	T	U*	Foot Bkt.	Pivot Bkt.	Rod Clevis
3/4"	3.37	2.62	.50	.50	.25	.06	1.00	.37	1/8 NPT	1.00	.31	5/8-18	.25	5/16-24	.25	.46	3.09	0.62	M21	M23	M24
1 1/8"	3.81	2.75	.62	.50	.25	.09	1.18	.50	1/8 NPT	1.28	.37	3/4-16	.31	3/8-24	.25	.50	3.50	0.75	M41	M43	M44
1 1/2"	4.56	2.81	.75	.75	.25	.09	1.37	.75	1/4 NPT	1.71	.50	1-14	.43	1/2-20	.31	.71	4.15	1.00	M61	M63	M64
2"	5.25	2.81	.87	.87	.37	.10	1.62	.75	1/4 NPT	2.23	.62	1 1/4-12	.56	5/8-18	.31	.71	4.84	1.25	M81	M83	M84

Note: * Pilot diameter.

MOUNTING ACCESSORIES: Dimensional Data

Foot Bracket

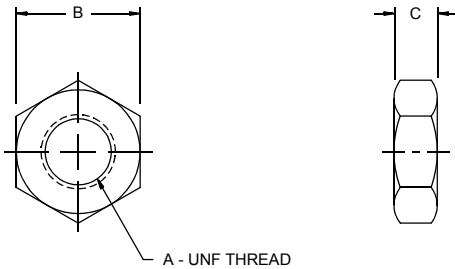


Bore	Foot Bkt. No.	Dimension										
		A	B	C	D	E	F	G	H	J	K	L
3/4"	M21	1.50	1.87	.12	.28	0.81	0.62	1.00	1.37	0.93	0.56	.18
1 1/8"	M41	1.50	1.87	.12	.28	0.87	0.75	1.06	1.50	0.93	0.59	.18
1 1/2"	M61	1.87	2.37	.19	.28	1.18	1.00	1.37	2.06	1.18	0.78	.25
2"	M81	2.37	3.00	.25	.34	1.50	1.25	1.68	2.56	1.50	0.96	.31
2 1/2"	M91	2.87	3.75	.25	.34	1.75	1.50	1.62	3.06	1.87	1.00	.43

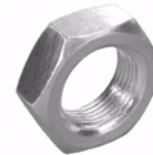
Note: One mounting nut is provided with each foot bracket ordered.



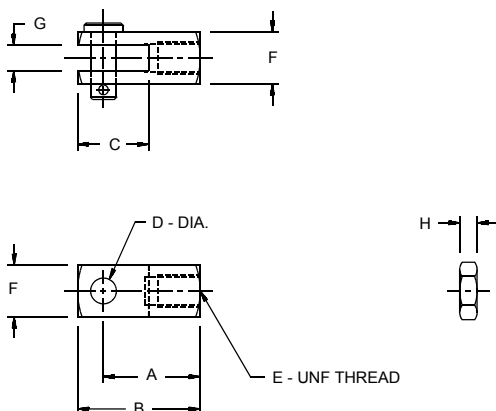
Mounting Nut



Bore	Mtg. Nut No.	Dimension		
		A	B	C
3/4"	M25	5/8-18	0.93	.37
1 1/8"	M45	3/4-16	1.12	.42
1 1/2"	M65	1-14	1.50	.54
2"	M85	1 1/4-12	1.87	.54
2 1/2"	M95	1 3/8-12	1.87	.50



Rod Clevis



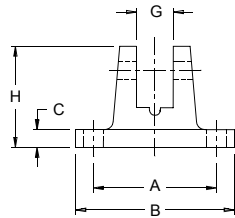
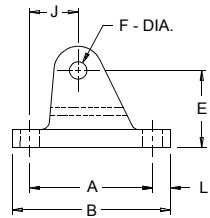
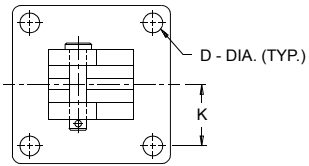
Bore	Rod Clevis No.	Dimension							
		A	B	C	D	E	F	G	H
3/4"	M24	0.93	1.18	0.68	.25	5/16-24	.50	.25	.18
1 1/8"	M44	1.12	1.37	0.68	.25	3/8-24	.56	.25	.21
1 1/2"	M64	1.43	1.81	0.93	.37	1/2-20	.75	.37	.31
2"	M84	1.87	2.31	1.31	.43	5/8-18	.87	.43	.37
2 1/2"	M94	1.31	1.68	0.93	.37	1/2-20	.75	.37	.31

Note: Rod nut and pin are provided with each rod clevis ordered.

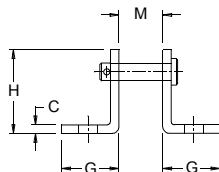
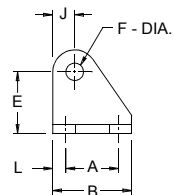
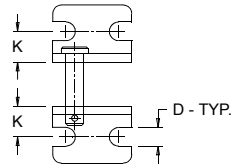


MOUNTING ACCESSORIES: Dimensional Data (Continued)

Pivot Bracket

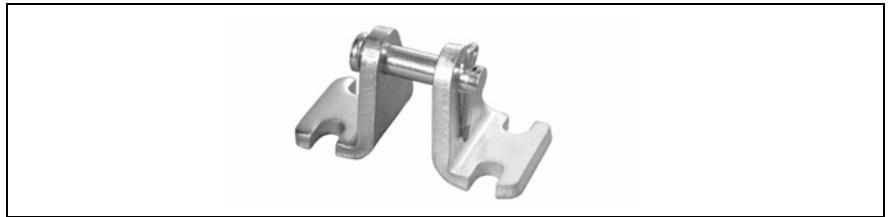
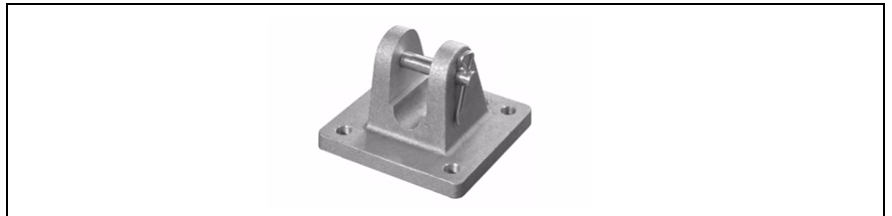


M 93

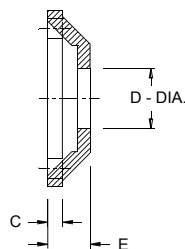
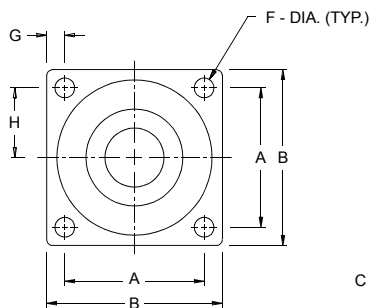
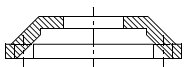


Bore	Pivot Bkt. No.	Dimension											
		A	B	C	D	E	F	G	H	J	K	L	M
3/4"	M23	1.75	2.25	.25	.28	1.09	.25	0.37	1.43	.68	0.87	.25	--
1 1/8"	M43	1.75	2.25	.25	.28	1.09	.25	0.50	1.43	.68	0.87	.25	--
1 1/2"	M63	2.25	3.00	.31	.28	1.62	.31	0.75	2.12	.87	1.12	.37	--
2"	M83	2.25	3.00	.31	.28	1.62	.31	0.75	2.12	.87	1.12	.37	--
2 1/2"	M93	1.00	1.50	.24	.34	1.37	.37	1.12	1.75	.37	0.68	.25	.75

Note: Pivot Pin & Cotter Pin included with each Pivot Bracket ordered.

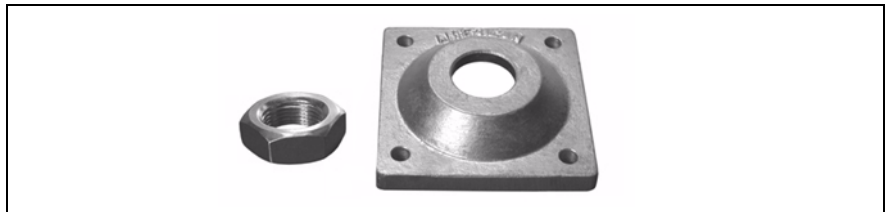


Flange



Bore	Pivot Bkt. No.	Dimension							
		A	B	C	D	E	F	G	H
3/4"	M22	1.62	2.12	.21	0.62	.50	.28	.25	0.81
1 1/8"	M42	2.00	2.50	.25	0.75	.62	.28	.25	1.00
1 1/2"	M62	2.50	3.25	.31	1.00	.75	.28	.37	1.25
2"	M82	2.87	3.62	.31	1.25	.87	.28	.37	1.43

Note: One mounting nut is provided with each Flange ordered.





American Cylinder Co., Inc.

American Cylinder Co., Inc.
Peotone, Illinois 60468-9116
708/258-3935
FAX 708/258-3980

ON THE INTERNET

<http://www.americancylinder.com>

<http://www.ameristore.biz>

E-MAIL: amcyl@americancylinder.com

Warranty

American Cylinder Co., Inc. warrants its products to be free from defects in material and workmanship under normal wear and service for a period of 3 years from date of shipment of the order. American Cylinder Company shall have no liability under this warranty if: 1) The product is used other than in accordance with specifications. 2) The product is subjected to abuse, negligence, accident, misapplication, or unintended use. 3) The product is manufactured to buyer's specifications.

Manufacturer's liability shall be limited to allowance of credit or replacement of defective product. American Cylinder Company shall not be liable or responsible for injuries or damages to persons or property arising out of the use or operation of American Cylinder products.

THIS WARRANTY IS EXPRESSLY IN LIEU OF ALL OTHER WARRANTIES, EXPRESSED OR IMPLIED, INCLUDING ANY IMPLIED WARRANTY OF MERCHANTABILITY OR FITNESS FOR A PARTICULAR PURPOSE, LIABILITY FOR LOST PROFIT OR FOR INDIRECT, INCIDENTAL, CONSEQUENTIAL OR COMMERCIAL LOSSES, AND OF ALL OTHER OBLIGATIONS OR LIABILITIES.

These conditions subject to change without notice.